



## Labotek Spare Part list

# DMR

Desiccant Mobile Rotor

40-110L

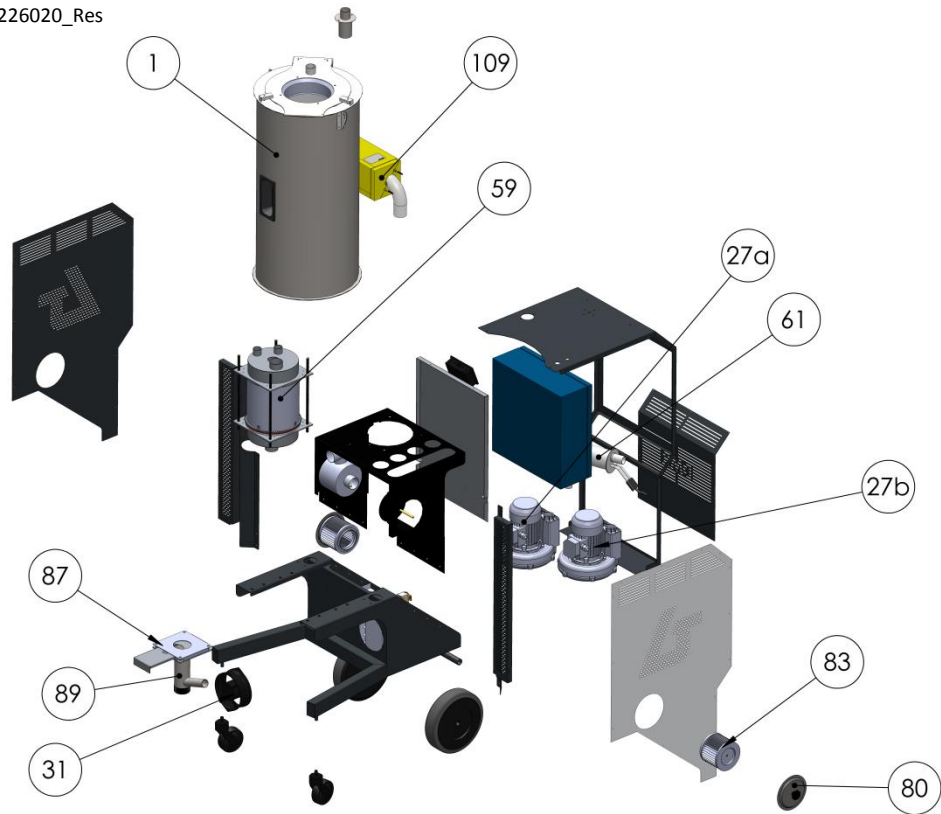


R-070.01\_RN00

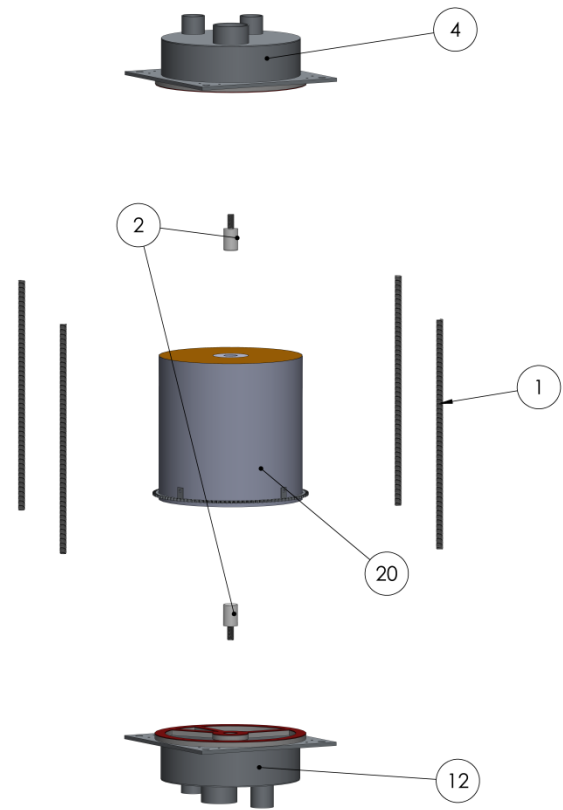
July 2017



226020\_Res



220130\_Res



DMR-0 Series.....3  
 DMR-I Series.....5

# DMR-0 Series

**DMR-0 40L**                      **Serial no: From 17-140-00101 to 17-140-00106**

**DMR-0 75L**                      **Serial no: From 17-141-00101 to 17-141-00102**

**DMR-0 110L**                     **Serial no: From 17-142-00101 to 17-142-00102**

<b>Pos.</b>	<b>LT-no.</b>	<b>Description</b>	<b>Pcs.</b>
	<b>Control</b>		
	<b>601970</b>	Fuse , 2A/F , 5x20mm	<b>10</b>
	<b>601022</b>	Solid State relay, 35A/480V/5-32VDC	<b>1</b>
	<b>602068</b>	Phase sequence relay , DC , Detector	<b>1</b>
	<b>600350</b>	Main switch	<b>1</b>
	<b>601638</b>	Miniature circuit breaker , 10A-C , 1 pol.	<b>1</b>
	<b>601422</b>	Miniature circuit breaker , 16A-C , 1 pol.6Ka	<b>1</b>
	<b>602648</b>	Thermal relay , 0,4-0,63A	<b>1</b>
	<b>605900</b>	Contactora , 4Kw , 24VDC , 1xNO	<b>1</b>
	<b>602642</b>	Overload cut-out	<b>1</b>
	<b>602632</b>	Thermal relay , 1-1,6A	<b>1</b>
	<b>Hose set</b>		
	<b>405641</b>	Hose , Ø32 , red	<b>5 m</b>
	<b>501877</b>	Hose , Ø50 , red	<b>5 m</b>

Pos.	LT-no.	Description	Pcs.
<b>Mechanical comp.</b>			
	505500	Desiccant Rotor Ø200x200 - *Contact Labotek for guidance	1
	505502	Blower , Reg. , 0,2 kW	1
	505502	Blower , Process , 0,2 kW - *DMR 40L process	1
	500335	Blower , Process , LT3-I , 0,4 kW - *DMR 75 and 110 L Process	1
	500938	Cooler	1
	502040	Ventilator	1
	206795	Filter	2
	207091	Heating element, Regeneration , 1,5kW	1
	605531	Heating element, Process , 3kW	1
	601368	Thermostat , 0-250 C , Process	1
	600036	Thermostat , 0-300 C , Regeneration	1
	601506	Censor , PT 100 , Ø6mm	4
	407101	Sealing , filter , lid	2
	405452	Sight glass , Hopper	1
	500473	Silicone sealing , Hopper	1
87	207140	Manual slide valve	1
89	408725	Catch box	1

# DMR-I Series

**DMR-I 40L**                      **Serial no: From 17-140-00301**

**DMR-I 75L**                      **Serial no: From 17-141-00301**

**DMR-I 110L**                    **Serial no: From 17-142-00301**

<b>Pos.</b>	<b>LT-no.</b>	<b>Description</b>	<b>Pcs.</b>
		<b>Control</b>	
	<b>601970</b>	Fuse , 2A/F , 5x20mm	<b>10</b>
	<b>601022</b>	Solid State relay, 35A/480V/5-32VDC	<b>1</b>
	<b>602068</b>	Phase sequence relay , DC , Detector	<b>1</b>
	<b>600350</b>	Main switch	<b>1</b>
	<b>601638</b>	Miniature circuit breaker , 10A-C , 1 pol.	<b>1</b>
	<b>601422</b>	Miniature circuit breaker , 16A-C , 1 pol.6Ka	<b>1</b>
	<b>602648</b>	Thermal relay , 0,4-0,63A	<b>1</b>
	<b>605900</b>	Contactora , 4Kw , 24VDC , 1xNO	<b>1</b>
	<b>602642</b>	Overload cut-out	<b>1</b>
	<b>602632</b>	Thermal relay , 1-1,6A	<b>1</b>
		<b>Hose set</b>	
	<b>405641</b>	Hose , Ø32 , red, 1 m	<b>5 m</b>
	<b>501877</b>	Hose , Ø50 , red, 1 m	<b>5 m</b>

Pos.	LT-no.	Description	Pcs.
<b>Mechanical comp.</b>			
59	220130	Full rotor assembly, incl. Rotor, sealings - <b>Without gear motor + gear (LT: 220155)</b>	1
20	220145	Desiccant Wheel Ø200x200	1
4	220150	Rotor top, incl. Sealing	1
12	220151	Rotor bottom, incl. Sealing	1
2	404006	Shaft for rotor	2
	505533	Spring , rotor adjustment	4
	220155	Motor , gear motor incl. Gear , for Ø200x200 rotor	1
	601124	Micro switch , for rotor	1
27b	505502	Blower , Reg. , 0,2 kW	1
27a	505502	Blower , Process , 0,2 kW - <b>*DMR 40L process</b>	1
27a	500335	Blower , Process , LT3-I , 0,4 kW - <b>*DMR 75 and 110 L Process</b>	1
	500938	Cooler	1
31	502040	Ventilator	1
83	206795	Filter	2
61	207091	Heating element, Regeneration , 1,5kW	1
109	605531	Heating element, Process , 3kW	1
	601368	Thermostat , 0-250 C , Process	1
	600036	Thermostat , 0-300 C , Regeneration	1
	601506	Censor , PT 100 , Ø6mm	4
	407101	Sealing , filter , lid	2
	405452	Sight glass , Hopper	1
	220231	Sealing set , Hopper	1
87	207140	Manual Slide Valve	1
89	408725	Catch box	1