



Big Power in a Small Package GETECHA Beside-the-Press Granulators

RS 100
by GETECHA

GRS
by GETECHA

RS 1600
by GETECHA



GETECHA

INDIVIDUALITÄT IST UNSER STANDARD

Choose the system partner who is also a competent dialogue partner: GETECHA.

For more than five decades, we have been acting as consultants to the plastics processing industry, developing, planning, and manufacturing consistently individual solutions from sprue recovery and automation systems to granulation. We have been supporting many of our customers for a very long time already. We simply feel at home with your challenges.

Individualität ist unser Standard.



Small and compact in high-grade steel

GETECHA's small granulator can be installed directly in the ejection chute of the injection moulding machine. Outstandingly well-suited for granulation of small sprues. Also for laboratory applications.



■ compact design – saves space

- small footprint
- minimal installed height
- so small that it fits in any injection moulding machine



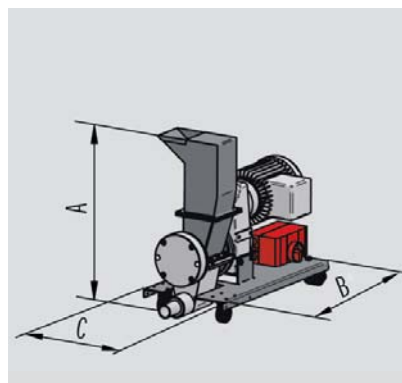
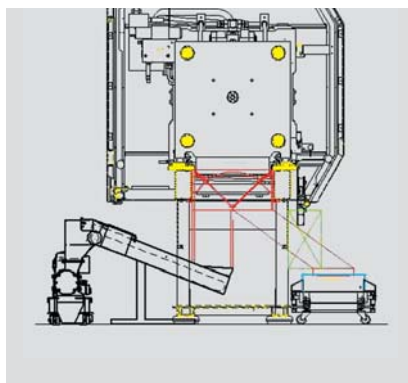
■ suitable for clean rooms

- made entirely of high-grade steel
- sealed grinding chamber
- suction pipe with O-ring seal



■ runs virtually maintenance free

- direct drive with maintenance free geared motor
- no safety limit switch required
- long service life of blades
- pre-adjustable stationary blade
- rotor constitutes a unified whole



	A	B	C
RS 100	500 mm	540 mm	260 mm

 **GRS 180**
by GETECHA

 **GRS 300**
by GETECHA

Better slanted, well-tries thousand fold

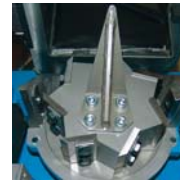
Into the large intake and then into the tilted rotor. There every kind of granulate is reliably granulated. The GRS granulators run in peak operation right from the start.



- **divided cutting chamber**
 - easy screen removal
 - cutting chamber opens without tools
 - fast, economical cleaning



- **nearly insatiable**
 - large cutting chamber opening
 - starts when the hopper is full



- **self-cleaning steel disk**
 - low fines
 - wear-proof hardened
 - easy to clean



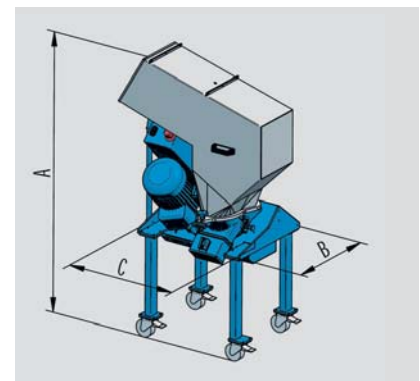
- **sophisticated safety engineering**
 - DIN EN 954-1, Cat. 3



- **by request and nevertheless standard**
 - various rotor variants and wear-protection packages available
 - hopper, frame or material container tailored to your production
 - optional water cooling or filling level monitoring

Low built

High built



	A	B	C
GRS 180	1.220 mm	665 mm	710 mm
GRS 300	1.600 mm	900 mm	930 mm

	A	B	C
GRS 180	1.660 mm	665 mm	710 mm
GRS 300	1.960 mm	900 mm	930 mm

Diversity by Request

As unique as the place of use: The granulators can be equipped and adapted individually. For example, with hoppers and material containers depending on the task at hand. It is also possible to realize various drive capacities. Both models are available with standard or high stands.



blades always ready to go

- after sharpening, just install and the cutting gap is correct
- short maintenance time
- scissors cut



virtually maintenance free

- automatic belt tensioner results in
- optimal power transmission



rotating rotor end plate

- seals bearing against dust
- no trapping of material between rotor and housing



very easy to clean

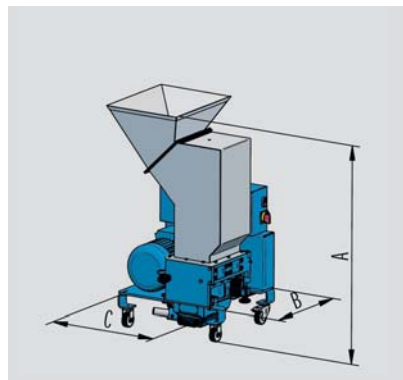
- entire cutting chamber swings out
- screen easy to remove
- optimal accessibility
- no reset or dust-trapping corners



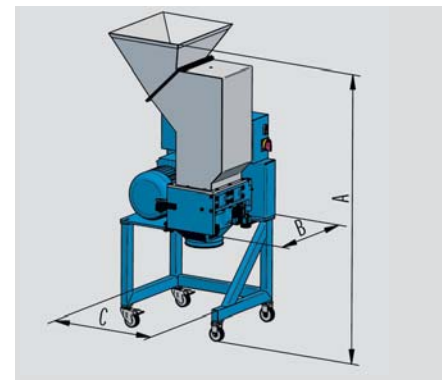
individual features

- elevated for material containers or sacks
- installed low for direct suction
- various drive capacities can be realized
- can be integrated in your machine

Low built



High built



	A	B	C
RS 1615	1.240 mm	500 mm	650 mm

	A	B	C
RS 1615	1.640 mm	500 mm	650 mm

Technical specifications:

Model	RS 100	
Rotor cutting diameter	100 mm	
Cutting chamber opening	95 x 95 mm	
Cutting length	100 mm	
Rotor revolution	approx. 160 rpm	
Screen size, standard	4,5 mm round	
Throughput	6 kg/h *	
Motor power	0.75 kW	
Electrical connection	400 V, 50 Hz	
Cutting chamber	stainless steel	
Rotor	special tool steel	
Weight	approx. 50 kg	
Painting	RAL 9016, traffic white	
Model	RS 1615	
Rotor cutting diameter	160 mm	
Cutting chamber opening	150 x 230 mm	
Cutting length	150 mm	
No. of rotary blades	3	
No. of stationary blades	2	
Type of cutting	scissors cut	
Rotor revolution	approx. 240 rpm	
Motor power, standard	1,5 kW	
Screen size, standard	8 mm round	
Throughput	max. 25 kg/h *	
Electrical connection	3 x 400 V + N, 50 Hz	
Weight	approx. 200 kg	
Painting	RAL 7035, lightgrey RAL 5015, skyblue	
Model	GRS 180	GRS 300
Rotor cutting diameter	180 mm	300 mm
Cutting chamber opening	285 x 200 mm	450 x 335 mm
Cutting length	75 mm	125 mm
No. of rotary blades	7	10
No. of stationary blades	1	2
Type of cutting	scissors cut	scissors cut
Rotor revolution	approx. 270 rpm	approx. 230 rpm
Motor power, standard	2, 2 kW	5,5 kW
Screen size, standard	6 mm round	6 mm round
Throughput	approx. 35 kg/h *	approx. 80 kg/h *
Electrical connection	3 x 400 V + N, 50 Hz	3 x 400 V + N, 50 Hz
Weight	approx. 200 kg	approx. 500 kg
Painting	RAL 7035, lightgrey RAL 5015, skyblue	RAL 7035, lightgrey RAL 5015, skyblue

* depending on screen size and material



Granulation

Beside-the-press granulators
Central Granulators
Heavy-Duty Granulators



Automation

Sprue removal
Handling systems
Special automation solutions



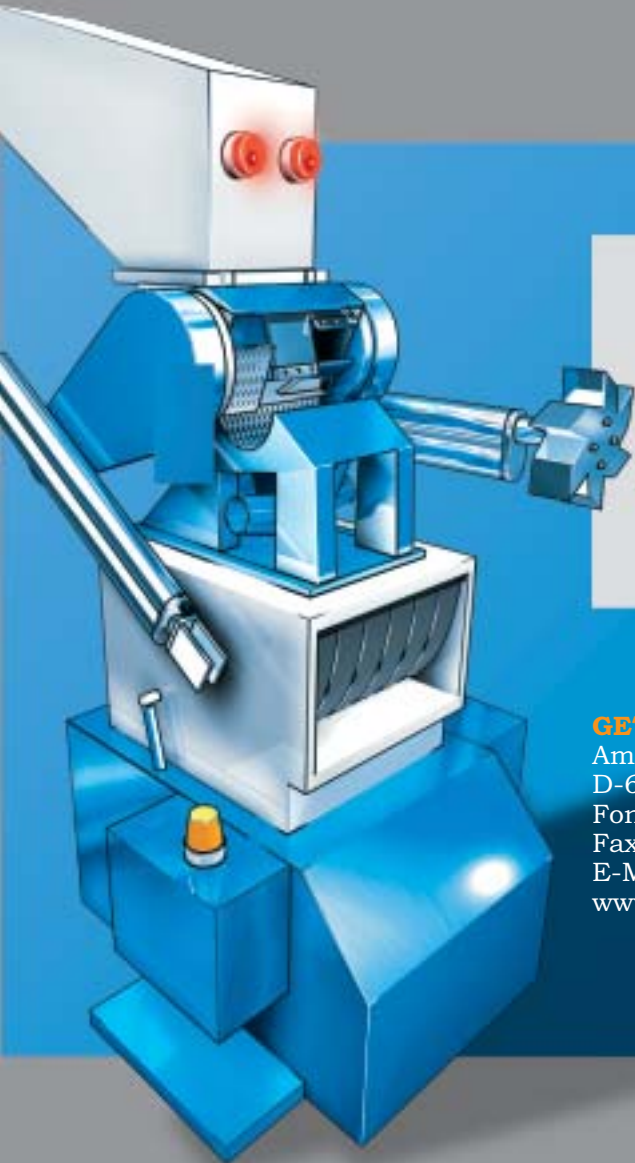
Technical installations

Development
Manufacturing
Start of operation

GETECHA granulators granulate plastics and return them to the production cycle. The granulators can be expanded into stand-alone recycling systems.

GETECHA realizes tailor-made, turnkey automation systems right around injection moulding machines. They are your one-stop source for development, manufacturing, service and training.

GETECHA have a worldwide sales and service network at their disposal. We guarantee fast, uncomplicated support.



GETECHA GmbH

Am Gemeindegarten 13
D-63741 Aschaffenburg
Fon +49 (0) 60 21.84 00-0
Fax +49 (0) 60 21.84 00-35
E-Mail info@getecha.de
www.getecha.de

GETECHA Inc.

2914 Business One Drive
Kalamazoo, MI 49048, USA
Fon +1 269.373-8896
Fax +1 269.344-7844
E-Mail sales@getechaUS.com
www.getechaUS.com

GETECHA reserves the right to change the product specifications described in this data sheet and publish new data sheets accordingly at any time and without prior notice. GETECHA assumes no liability for the completeness and correctness of this information in terms of form and content. Illustrations may contain options.

GETECHA

INDIVIDUALITÄT IST UNSER STANDARD