

LRD - SERIES

Labotek Rotor Hopper Dryer
Dessicant drying of plastic materials



LRD - Labotek Rotor Hopper Dryer

Introduction

The new compact LRD series offers a lightweight dryers for mounting on the machine with hopper volumes of 30 to 100 L. Using the desiccant rotor technology results in a high drying performance at a constant dew point of -35°C or better. The dry air volume is 15 - 30 m³/h.

Controlled regeneration and rotor technology guarantees a high energy efficiency and low power consumption.

Standard features & advantages

- Dry air dew point is -35°C or better
- No compressed air or cooling water needed
- Process air temperatures 50-140°C
- Automatic operation with daily/weekly timer
- Side-channel blower
- Easy access process airfilter
- Honeycomb rotor dry air technology
- 3 dew point settings
- Low maintenance
- Control with integrated "LESS" function to reduce energy consumption and protect against over drying
- 3 levels of drying performance
- Supporting base
- Lid for SVR/Mini-Feed

Optional features

- Mobile frame with catch box
- Hand-held control
- Dew point sensor only at new machines at request

LT no.
103180
220240



The proven Honeycomb technology ensures the ability to operate with constant dew point values throughout the whole working cycle.



Wired remote control



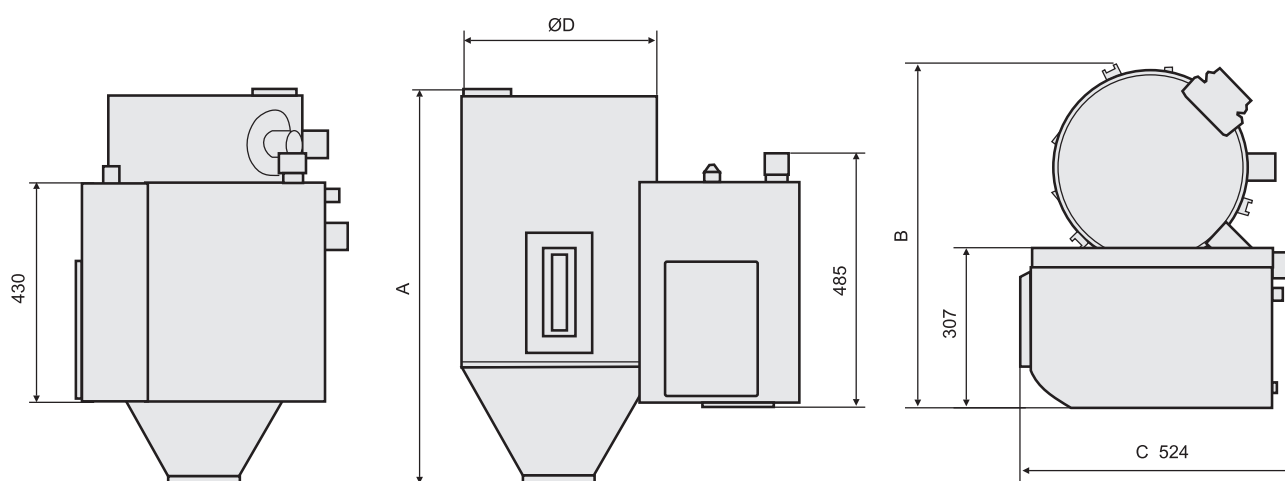
Supporting base for easy installation of dryer on machine throat, comprehensive of manual sliding gate and side discharge outlet for fast cleaning.

Technical specifications

	LRD 30	LRD 50	LRD 75	LRD 100
Air flow [m ³ /h]	15	20	25	30
Air dew point [°C]	-35 or better			
Process blower [W]	70	70	70	70
Regeneration fan [W]	8			
Cooling fan [W]	8.6			
Process heater [W]	1600			
Regeneration heater [W]	800			
Drying temp. range [°C]	From 50-140°C without cooling water			
Supply voltage	230 V / 1 / 50 Hz			
Hopper volume [l]	30	50	75	100
LT no.	101530	101531	101532	101533

Dimensions

Type LRD	30	50	75	100
A - Hight	740	740	940	940
B - Width	643	764	764	826
C - Depth	524	524	524	524
Ø D	370	490	490	550



**2 years
warranty**

Labotek offers 2 years warranty
- excluding wear parts

Labotek A/S
Stroebjergvej 29
DK-3600 Frederikssund

+45 4821 8411
info@labotek.dk
www.labotek.com

Representative