

MCMicro

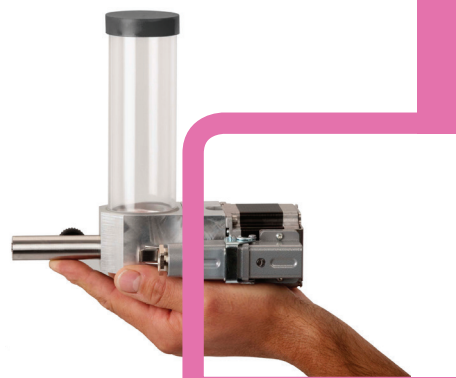
Ultra compact dosing unit

MCMicro is an ultra compact dosing unit, especially developed for small injection molding machines. Its small size and the accurate stepper motor drive enable you to dose additives in-line on the smallest machines on the market.

You can use the MCMicro for normal granulates and micro granulates. It is equipped with a quick release coupling, allowing easy color change. For different small injection molding machines we have adapters available.

The MCMicro comes with a MC12 controller. The masterbatch hopper has a volume of 200 ml. The unit can also be supplied with an optional integrated hopper loader for the main material and MC18 controller. The main material hopper can contain 1.8 liter.

Reliable additive dosing on the smallest machines, the MCMicro is designed to do just that.



Features

- Ultra small, but robust design
- Quick and easy color changes
- Optional: integrated main material hopper loader



MC12 Micro

- Manual adjustment of metering speed and time
- Relay mode for extrusion applications
- Keypad lock function
- 4-piece 7 segments LED display
- Keypad operated



MC18 Micro

- Manual adjustment of metering speed and time
- Auto synchronization to extruder speed
- Integrated main material hopper loader control
- Alarm output
- Keypad lock function
- 4-piece 7 segments LED display
- Keypad operated

MOVACOLOR LEADING INNOVATOR IN DOSING TECHNOLOGY

For almost three decades, Movacolor has been dedicated to coloring the world in a sustainable way. We do so by developing high-precision gravimetric and volumetric dosing systems. Our knowledge, experience and innovation capabilities are invested in a comprehensive portfolio of user-friendly products. These work easily and effortlessly together in advanced systems that conserve additives, increase production flexibility and deliver excellent results.

MCMicro

Technical specifications

CAPACITY

0.05-1.0 g/sec*

APPLICATION

Injection molding

POWER SUPPLY

80-260 VAC, 50/60 Hz. By integrated automatic voltage selector

POWER CONSUMPTION

80 Watt maximum

OPERATION

MC12 Micro and MC18 Micro: keypad

INPUT SIGNALS

Start input: potential free, 24 VDC or extruder tachometer (0-30 VDC) (tachometer only for MC18)

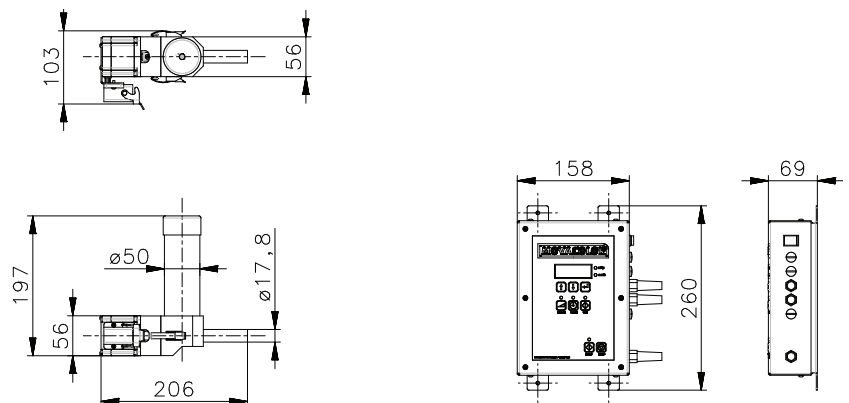
OUTPUT SIGNALS

MC18 Micro: alarm, valve (for automatic main material hopper loader)

* measured with a bulk density of 0.8 kg/dm³



Dimensions MC12 Micro



Dimensions MC18 Micro with main hopper and loader

