

Ratio-Selector

RS 818



Labotek
Power in Plastics

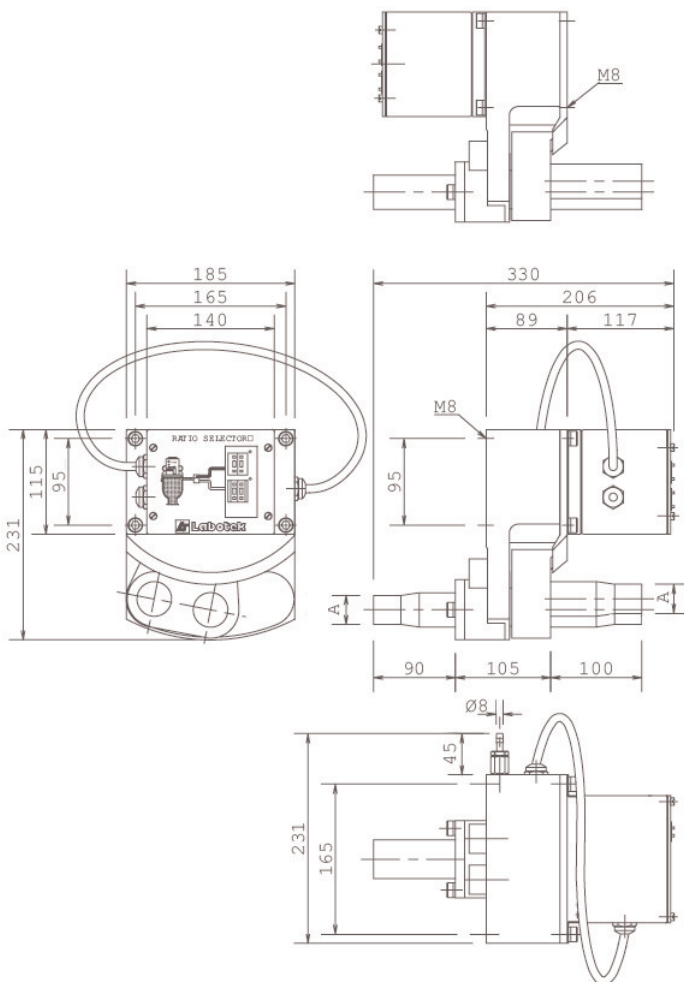
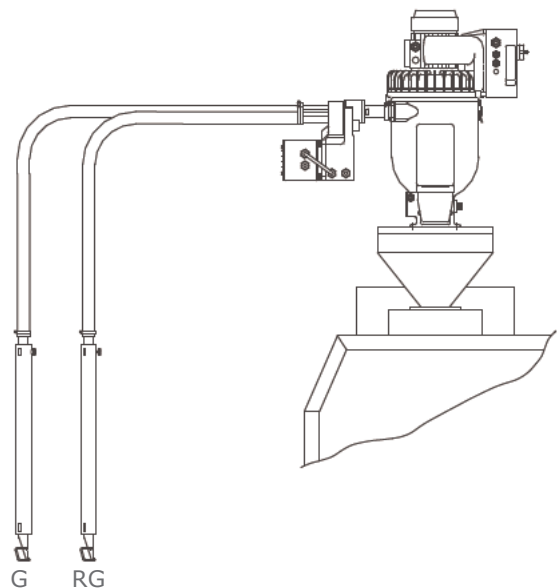
Ratio-Selector RS 818

Adjustable, 2-Way Proportioning Valve for Hopper Loaders.

- Simple to install
- Conveyance of 2 materials
- Individual adjustment of conveying intervals for valve 1 and valve 2
- Simple mixing technique for regrind usage
- Connected to the control of the Con-Evator
- Cast aluminium construction, wear parts in stainless steel AISI 304

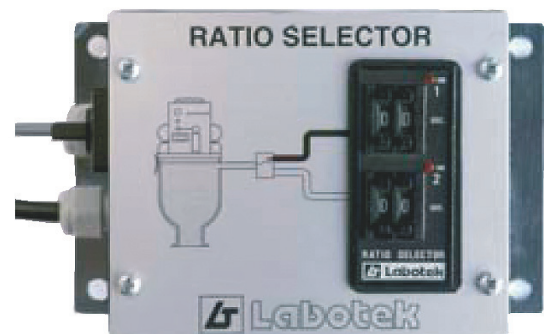


Principle drawing RS 818:



| | 101164 | 100553 | 100570 |
|---|---------|---------|---------|
| A | Ø 32 mm | Ø 38 mm | Ø 50 mm |

3 m Suction hose + 1 x Suction probe



Electric control - easy and simple to operate.

Labotek A/S

Stroebjergvej 29, DK-3600 Frederikssund
 Tel +45 4821 8411 | Fax +45 4821 8000
 info@labotek.dk | www.labotek.com

Labotek
 Power in Plastics