

# LCD - SERIES

Labotek Compressed Air Dryer  
Drying of plastic materials



**Labotek**  
Power in Plastics

# LCD - Labotek Compressed Air Dryer

## Introduction

Labotek A/S offers a range of compressed air dryers - the LCD dryer series - with a dew point down to  $-50^{\circ}\text{C}$ . All models are designed to be machine mounted and for small-medium throughputs.

The electronic control panel allows easy programming via the internal data base of main materials, with the possibility of free implementation of the data by the operator.

The electronic control allows modulating the flow of compressed air as a function of the hourly capacity and type of material which, in combination with the anti-stress system, automatically reduces the power consumption.

## Standard features & advantages

- Lid for SVR/Mini-Feed
- Electronic control microprocessor-based with LCD display
- Continuous modulating system of the compressed air flow
- Daily-weekly timer
- Solid state relay control
- Antistress system
- Visual and acoustic alarm
- Compressed air filter

## Optional features

- Supporting base
- Mobile frame with catchbox
- Wired remote control
- Dew point sensor only at new machines at request
- Dew point meter (on request)

LT no.

220242

103180

220240



Supporting base for easy installation of dryer on machine throat, comprehensive of manual sliding gate and side discharge outlet for fast cleaning.



The electronic control panel allows easy programming via the internal data base of main materials.



Wired remote control



Mobile frame

## Technical specifications

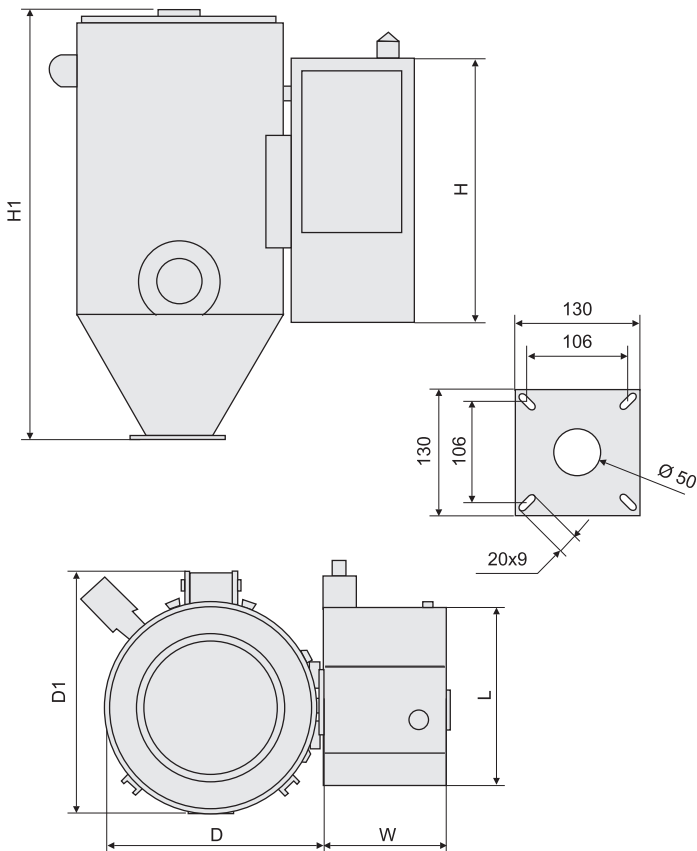
	LCD 5	LCD 15
Hopper volume l	5	15
Process airflow Nm <sup>3</sup> /h	5	10
Maximum dew point °C*	-50	
Heating power kW	0.45	0.45
Total installed power kW	0.5	0.5
Compressed air bar	Min. 7 bar	
Drying temp. range °C	+ 50 - 150	
Supply voltage	1 x 230 V / 50-60 Hz	
Weight kg	19	20
LT no.	101537	101538

\*) With compressed air 7 bar and dew point +5°C

## Dimensions

Type LCD	5	15
D	238	274
D1	279	318
H	350	350
H1	415	572
W	163	
L	156	156

All measurements are in mm



## Material

	LCD 5	LCD 15
ABS (extrusion grade)	0.9	2.8
ABS (molding grade)	1.4	4.1
PC - ABS blend	1.1	3.3
ASA	0.9	2.8
CA	1.8	5
CAB	1.4	4.1
CP	1.5	4.5
EPDM	0.9	2.8
EVA	0.8	2.5
EVOH	1.5	4.5
Ionomer (Surlyn)	1.3	3.8
LCP	1.5	4.5
PA	0.8	2.3
PAR	0.7	2.1
PBT	1.3	4
PC	1.8	5.3
PC CD	0.9	2.6
PC - PBT blend	1.3	3.8
PE black	2.5	7.5
PE black 3%	1.1	3.3
PE black 40%	0.8	2.3
PE cable	0.8	2.3
PEEK	1.3	4
PEI	0.9	2.8
PEN	0.9*	2.6*
PES	1.3	4
PET	0.7*	2*
PET	1.3	4
PETG	1	3
PI	1.8	5
PLA	1	3
PMMA	1.1	3.3
POM	2.1	5.9
PP	2.5	6.7
PP TV 40	1.6	4.9
PP - EPDM	1.6	4.9
PPA	1	3
PPO (or PPE)	1.4	4.1
PPS	2	6
PS	2.8	8.3
PUR	1.9	5
PUS	1.3	4
PVC	4.3	10
SAN	1.4	4.1
SB	3	6.7
TPC	1.8	5
TPE	1.2	3.5
TPU	1.8	5

\*) Special version 170°C

**2 years  
warranty**

Labotek offers 2 years warranty  
- excluding wear parts

**Labotek A/S**  
Stroebjergvej 29  
DK-3600 Frederikssund

+45 4821 8411  
info@labotek.dk  
www.labotek.com

Representative